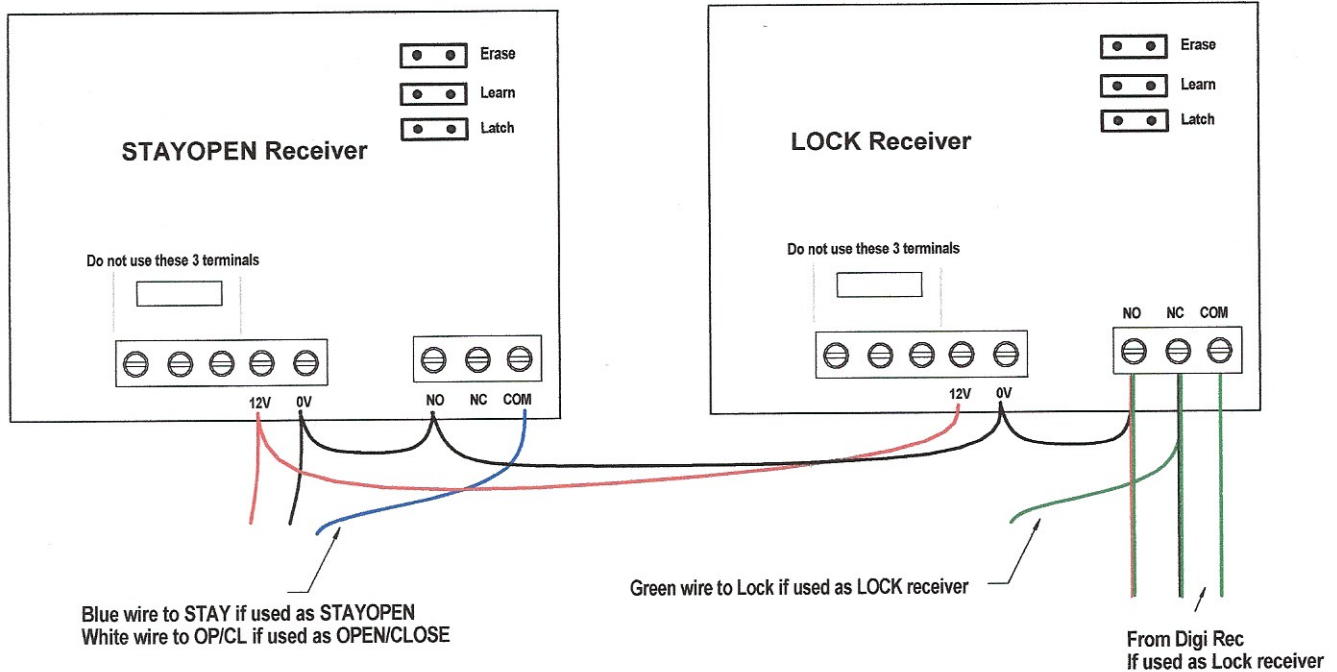


WIPS 433MHz LONG RANGE RECEIVER



Programming Transmitter Code -WIPS

There may be 1 or 2 WIPS receivers in control box. Receiver 1 is usually programmed for button 1 on remote to STAYOPEN gate. The second WIPS receiver in control box (if fitted) is usually programmed for button 2 on remote to LOCK/UNLOCK gate.

To code remote into WIPS receivers do as follows:

1. Remove jumper from 3 sets of double pins in top RH corner of receiver.
2. Press and hold button on remote (usually button 1 to STAYOPEN gate or button 2 to LOCK/UNLOCK gate), place jumper on LEARN pins - will flash to indicate remote is coded.
3. To set pulse time for STAYOPEN, place jumper on PULSE for 2 seconds for a 2 second pulse.
4. Do not leave jumper across any pins on STAYOPEN receiver. Store jumper on 1 pin only.
5. To program LOCK/UNLOCK (usually button 2 on remote) press and hold button 2 on remote then place jumper on LEARN pins of LOCK/UNLOCK WIPS - will flash to indicate remote is coded.
6. To set latch mode (for LOCK/UNLOCK feature), leave jumper on PULSE/LATCH.

To delete all remotes:

Jumper ERASE - will flash 4 times, then go solid on, to indicate all remotes erased.